



Description

KNOT is a collection of stately pendant lights that appose two dramatically dissimilar materials. The design combines coarse natural fibre with smooth, transparent handblown glass to arouse a contrast as striking as it is dignified.

Tech. description

The light comprises a glass shade, glass diffuser, metal component with LED module, and linen rope and is suspended from the ceiling canopy with a special bracket. The bottom section of the light is engineered as SELV.

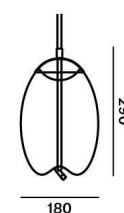


Colours options: https://brokis.sharepoint.com/:b/s/brokis_sp/ETP5oCQ2b0VPIvMEsn5gIBT-gmiu4X8IyE4MTLsGRPDw

CONSTRUCTION SPECIFICATION

Weight:	3 kg
Construction material:	glass, metal, linen rope
Cord length [mm]:	Individual, max. 5,000 mm
Mounting:	Ceiling
Environment:	Indoor

DIMENSIONS [mm]



ELECTRICAL SPECIFICATION

Input voltage [V]:	100 - 240 V
Frequency [Hz]:	50-60 Hz
Max. power [W]:	6 W
Coverage IP:	20
Socket:	LED module
Light source:	-
Energy class:	A+

CERTIFICATIONS





CM6130

Type	LED module
Lamp wattage [W]	6 W
Input voltage [V]	24 VDC
Energy class	A+
Flux [lm]	895 lm
Light colour [K]	2700 K
CRI	80+
Lifespan [h]	20000h
Dimmable	yes (PWM)

DATASHEET

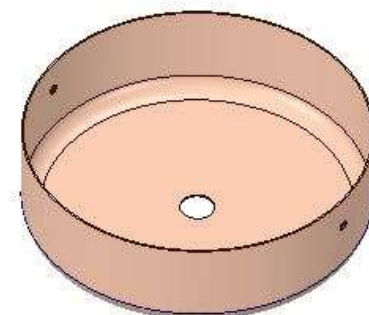
RECOMENDED CANOPY



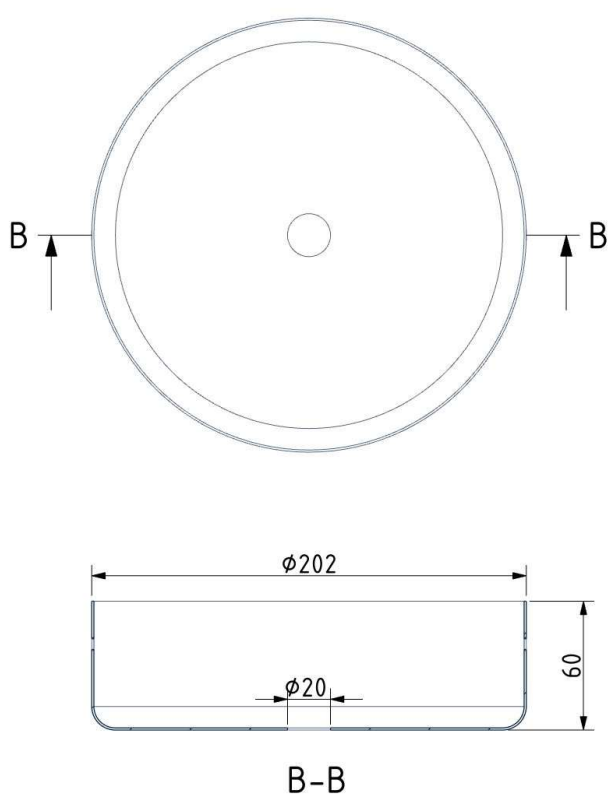
Download

CEILING CANOPY

Dimensions $O \times w$ [mm]	202 x 60 mm
Weight [kg]	1.15 kg
Material	metal



Drawing



Canopy bracket

